

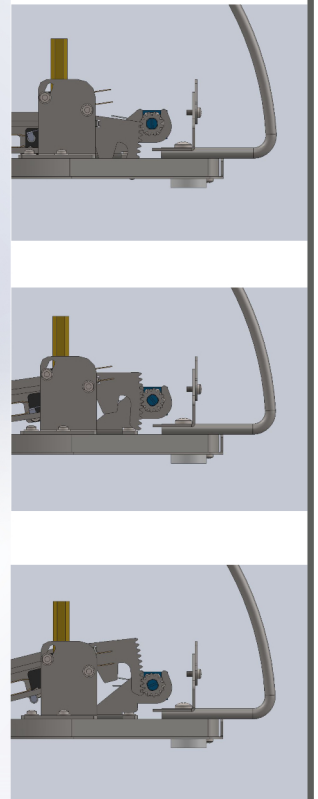


ACCELADE

THE ACCELERATING FOOTSWITCH

Excellent Performance
Absolute speed control

www.neodent.eu

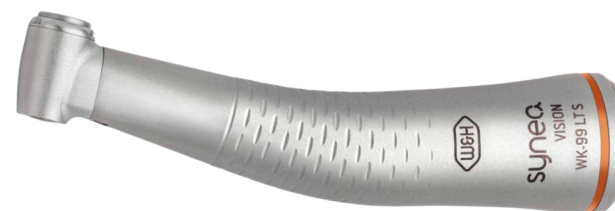


Innovative mechanism through 2 metallic gears offers a wide range of speed adjustment (28 mm)

What makes the Accelade foot switch unique ?

The wide range in speed adjustment through the pedal and the gradual acceleration. The user enjoys complete control over the dental handpieces starting from a few RPMs and reaching the maximum speed.

The operator is able to manipulate the instruments quickly and accurately with only minimal foot movement.



With a red-contra angle handpiece (sold separately), speed adjustment will do also for airtor use (FG burs)

Technical Data

Type	Footswitch with large pedal
Base	Solid floor-grip
Hook	Metallic
Movements	All (chair seat up & down, backrest back & forth)
On/Off Dental Light	Yes
Programs	P1 - Last Treatment Position
Compatible with	Triton & Triton Plus
Net weight	3,2 kg